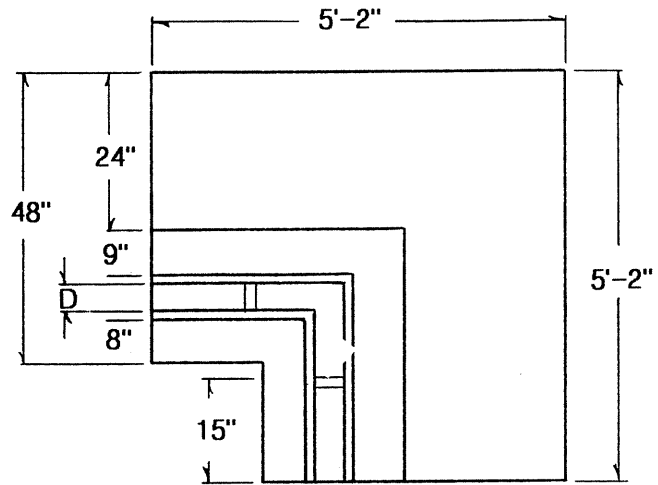


RETAINING WALL

OUTSIDE CORNER SECTION

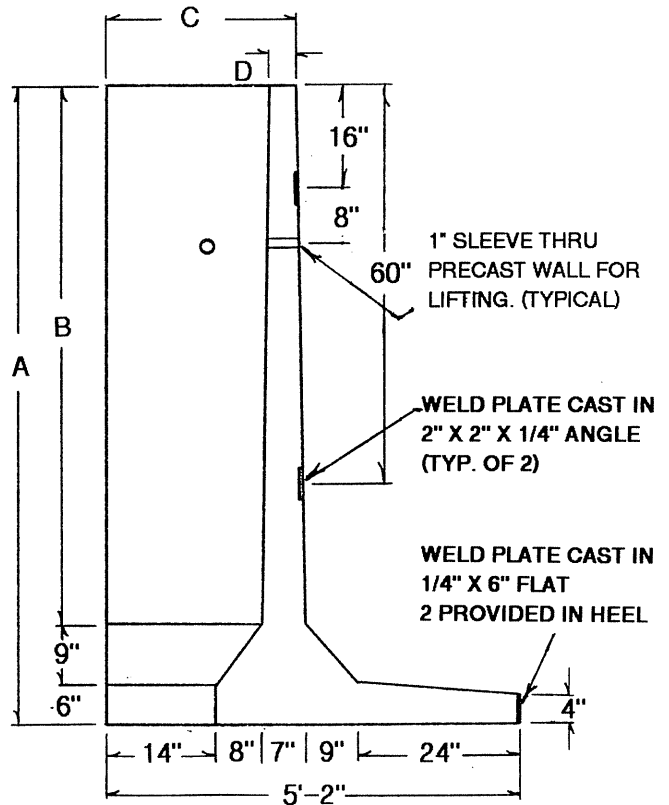
THE DIMENSIONS SHOWN HERE
ARE TYPICAL OF EACH SIDE

TOP VIEW



STANDARD WALL SIZES				
A	B	C	D	WEIGHT
4'	33"	28-1/4"	6"	3,200 LBS.
5'	45"	28"	5-1/2"	3,500 LBS.
6'	57"	27-3/4"	5"	3,800 LBS.
8'	81"	27-1/4"	4"	4,250 LBS.

END VIEW



Actual dimensions of concrete products may vary slightly

UPDATED 12/09

vaughn
concrete products, inc.

12650 Tucson Street • Henderson, Colorado 80640 • 303-659-3747, Fax 303-659-1333
2671 So. Greeley Hwy • Cheyenne, Wyoming 82007 • 307-634-0695, Fax 307-634-0694
10021 Amarillo Blvd. East • Amarillo, Texas 79107 • 806-374-3747, Fax 806-335-3717