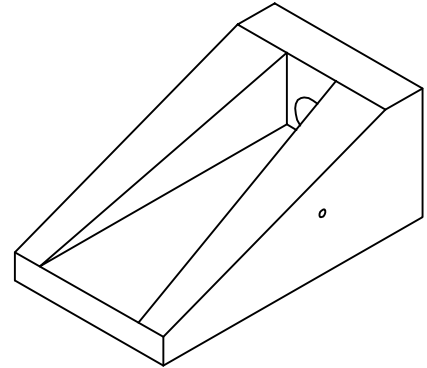
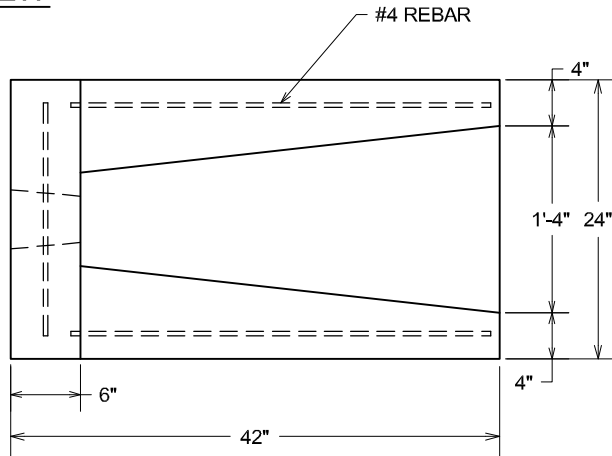


PRECAST CONCRETE STILLING BASIN

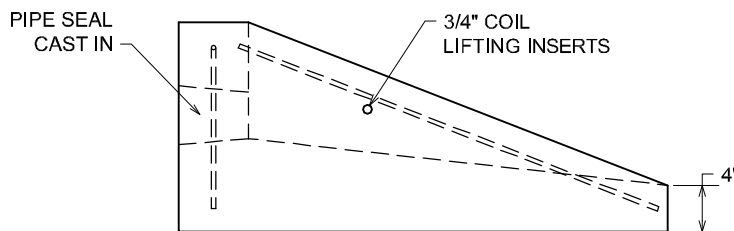
24" WIDE X 42" LONG X 18" HIGH INSIDE DIMENSIONS
VCP ITEM #STILLING BASIN
FOR 4" PIPE



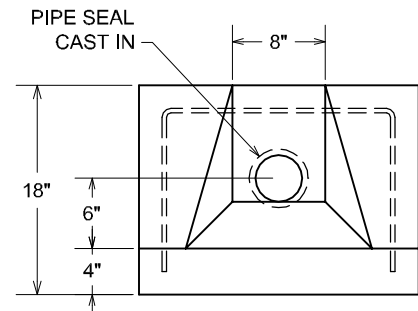
PLAN VIEW



SIDE VIEW



FRONT VIEW



MANUFACTURED WITH 6" TAPERED WALLS & FLOOR

CONCRETE 4,000 P.S.I. (MINIMUM)
REINFORCING GRADE 60 (MINIMUM)

APPROXIMATE WEIGHT IS 850 LBS.

ACTUAL DIMENSIONS OF CONCRETE PRODUCTS MAY VARY SLIGHTLY

vaughn
concrete products, inc.

STILLING BASIN.DWG
DATE CREATED: 11/03

12650 Tucson Street • Henderson, Colorado 80640 • 303-659-3747, Fax 303-659-1333
2671 South Greeley Hwy • Cheyenne, Wyoming 82007 • 307-634-0695, Fax 307-634-0694
10021 Amarillo Blvd East • Amarillo, Texas 79108 • 806-374-3747, Fax 806-335-3717