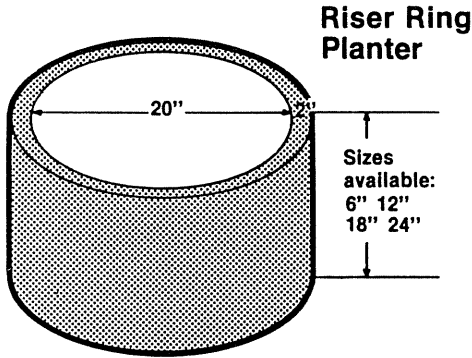
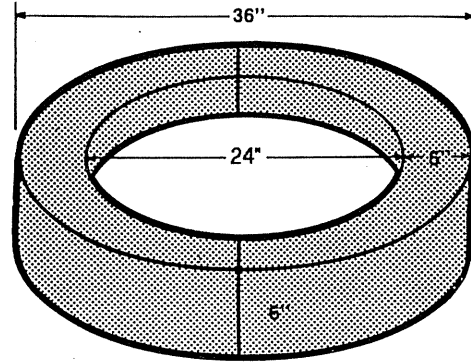


Precast Concrete

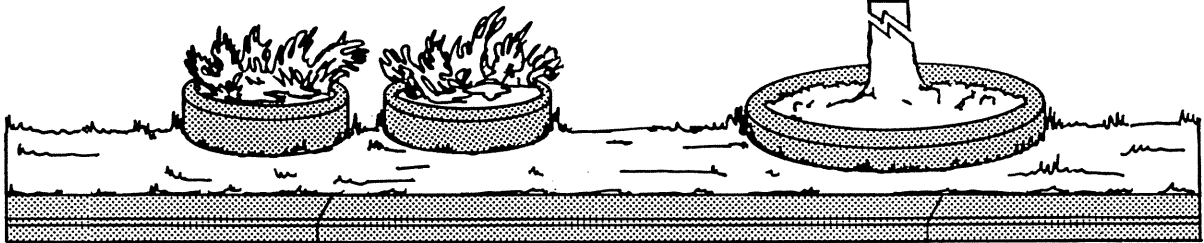
Landscaping Products



Tree Ring
2 Halves
for Easy
Installation

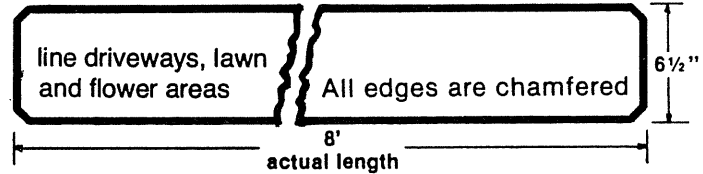
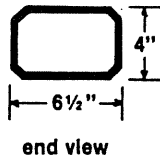


Weight: 240 lbs.

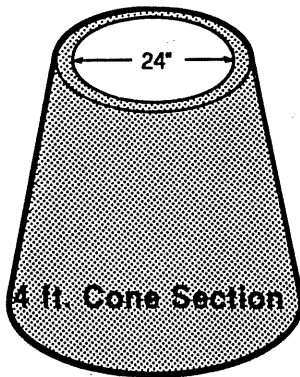


Border Posts

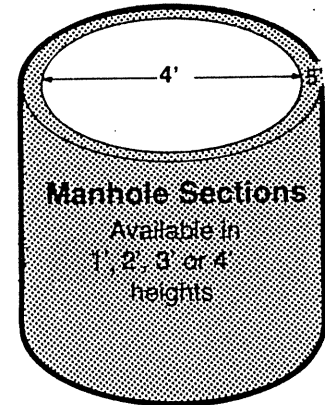
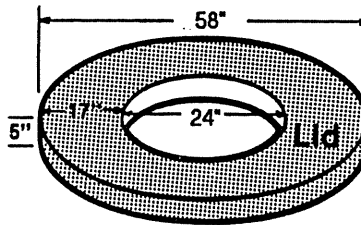
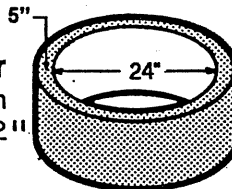
Weight: 210 lbs.



or Use Manhole items for larger planters.



Manhole Riser
Available in
heights 2" to 12"



Actual dimensions of concrete products may vary slightly.

Vaughn concrete products, inc.

12650 Tucson Street • Henderson, Colorado 80640 • 303-659-3747, Fax 303-659-1333
2671 So. Greeley Hwy • Cheyenne, Wyoming 82007 • 307-634-0695, Fax 307-634-0694
10021 Amarillo Blvd. East • Amarillo, Texas 79107 • 806-374-3747, Fax 806-335-3717