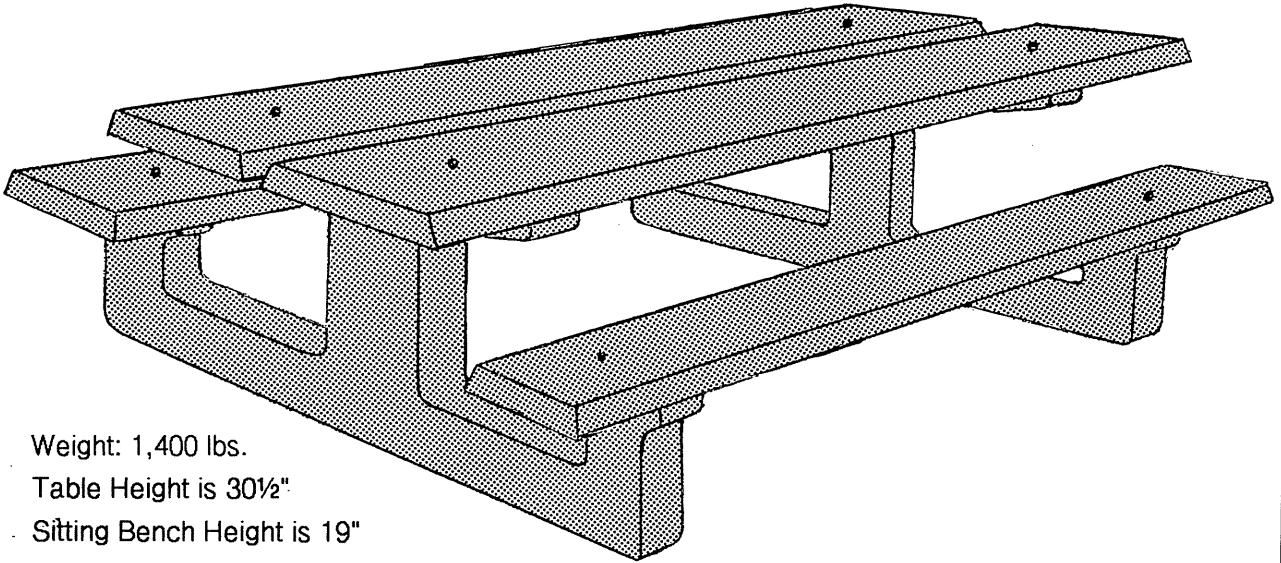


Precast Concrete

PICNIC TABLE

Treat Yourself To A VAUGHN CONCRETE PRODUCTS Picnic Table Complete With Benches



Weight: 1,400 lbs.

Table Height is 30½"

Sitting Bench Height is 19"

DESIGN: Constructed of 6 pieces that bolt together for ease & simplicity of installation. Makes a table top area of 2 1/2 ft. x 6 ft. Benches are 13 in. x 72 in. Bolt holes may be filled & grouted to conceal bolt head.

DURABILITY: Tough, steel reinforced precast concrete for long life.

MAINTENANCE: Smooth finish, no painting required, won't rot or splinter. Sturdy, vandal resistant, won't tip over.

Actual dimensions of concrete products may vary slightly.

vaughn
concrete products, inc.

UPDATED 11/97

12650 Tucson Street • Henderson, Colorado 80640 • 303-659-3747, Fax 303-659-1333
2671 So. Greeley Hwy • Cheyenne, Wyoming 82007 • 307-634-0695, Fax 307-634-0694
10021 Amarillo Blvd. East • Amarillo, Texas 79107 • 806-374-3747, Fax 806-335-3717