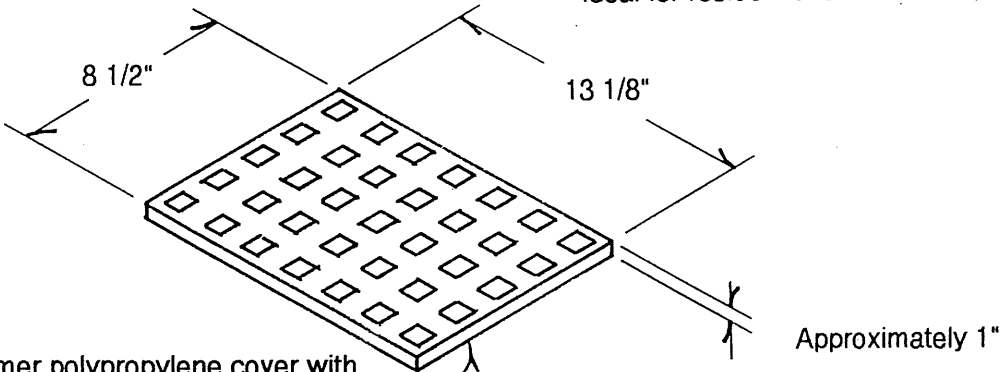


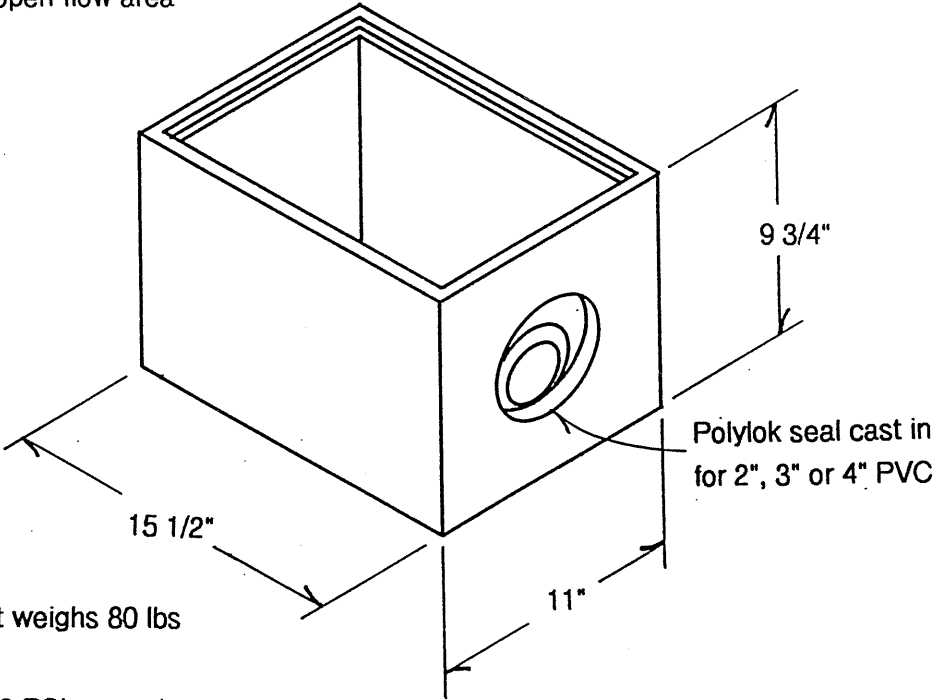
RAIN DRAIN

A SIMPLE, PRACTICAL SOLUTION TO SMALL DRAINAGE NEEDS

Not for traffic applications
Ideal for residential and landscape applications



Co-polymer polypropylene cover with 104 openings approximately 1/2 x 1/2
Provides approximately 26 square inches open flow area



Unit weighs 80 lbs

4000 PSI concrete

Standard unit has 1 pipe exit seal cast in
Additional pipe penetrations with seal available

Actual dimensions of concrete products may vary slightly

vaughn concrete products, inc.

12650 Tucson Street • Henderson, Colorado 80640 • 303-659-3747, Fax 303-659-1333
2671 So. Greeley Hwy • Cheyenne, Wyoming 82007 • 307-634-0695, Fax 307-634-0694
10021 Amarillo Blvd. East • Amarillo, Texas 79107 • 806-374-3747, Fax 806-335-3717