

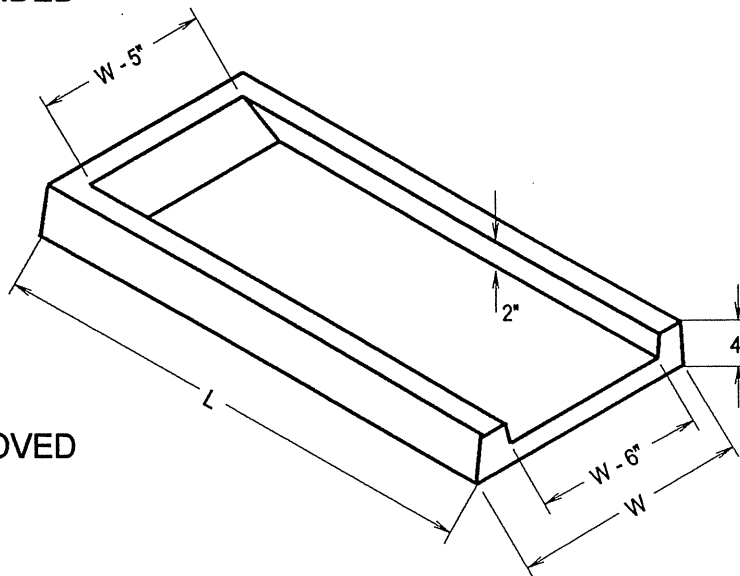
PRECAST CONCRETE SPLASH BLOCKS

USE UNDER DOWN SPOUTS
FOR EROSION CONTROL

FOR COMMERCIAL OR RESIDENTIAL USE

SQUARE ENDED

FHA APPROVED



WIDTH	LENGTH
12"	
3FT. SPLASH BLOCK	34" LONG
5FT. SPLASH BLOCK	58 1/2" LONG
18" (SUPER BLOCKS)	
3FT. SUPER SPLASH BLOCK	34" LONG
5FT. SUPER SPLASH BLOCK	58 1/2" LONG

WEIGHTS:
3FT. - 110 LBS. (APPROX.)
5FT. - 180 LBS. (APPROX.)
3FT. SUPER BLOCK - 170 LBS. (APPROX.)
5FT. SUPER BLOCK - 250 LBS. (APPROX.)

CONCRETE - 4,000 P.S.I. (MINIMUM)
WIRE MESH REINFORCING

ACTUAL DIMENSIONS OF CONCRETE PRODUCTS MAY VARY SLIGHTLY
DRAWING IS NOT TO SCALE

vaughn
concrete products, inc.

11/97

12650 Tucson Street • Henderson, Colorado 80640 • 303-659-3747, Fax 303-659-1333
2671 So. Greeley Hwy • Cheyenne, Wyoming 82007 • 307-634-0695, Fax 307-634-0694
10021 Amarillo Blvd. East • Amarillo, Texas 79107 • 806-374-3747, Fax 806-335-3717