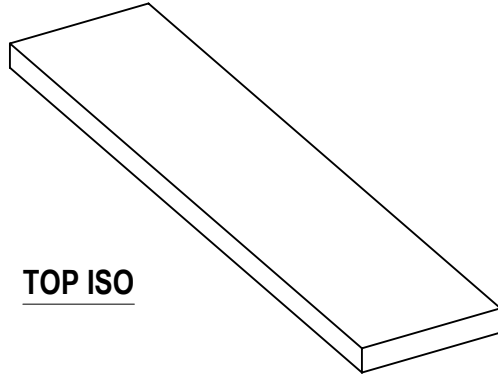
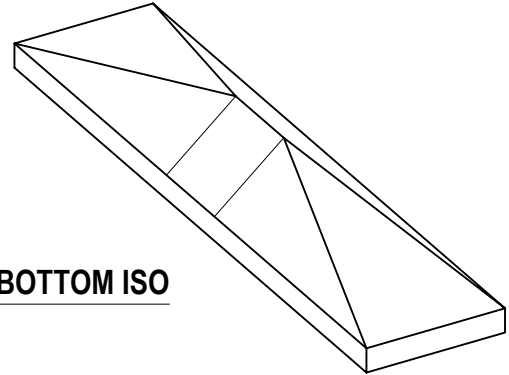


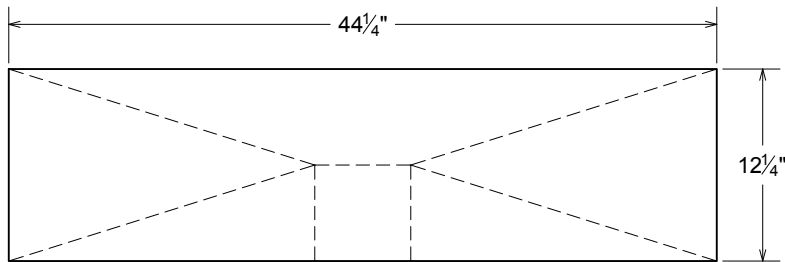
PRECAST CONCRETE INDIVIDUAL STEPS



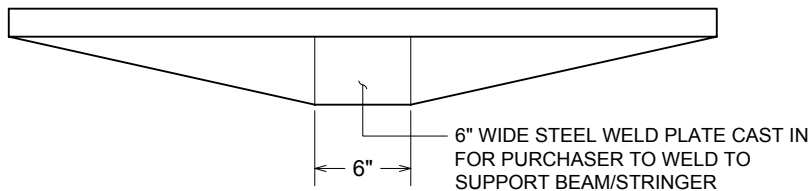
TOP ISO



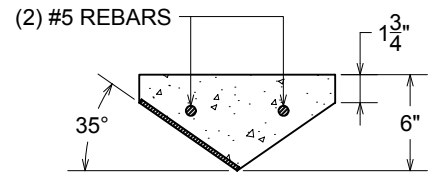
BOTTOM ISO



TOP VIEW



BACK VIEW



SECTION VIEW

WEIGHT:

- STEP AS SHOWN WEIGHS APPX. 150 LBS.

FINISH:

- TOP: STANDARD CONCRETE TROWEL FINISH
- SIDES & BOTTOM: SMOOTH FORM FINISH
- COLOR: CONCRETE GRAY

NOTES:

- CONCRETE: 4000 P.S.I. MINIMUM
- REINFORCING: GRADE 60 MINIMUM

ACTUAL DIMENSIONS OF CONCRETE PRODUCTS MAY VARY SLIGHTLY

STEPS AVAILABLE IN TAPERED CONFIGURATION AS SHOWN OR IN A FLAT CONFIGURATION WITHOUT THE TAPER

FLAT STEP TO SET INTO PURCHASER SUPPLIED SUPPORTS OR PROVIDED WITH WELD PLATES CAST IN

OTHER SIZES ARE AVAILABLE AS SPECIAL ORDER ITEMS UPON REQUEST

3" MINIMUM RECOMMENDED THICKNESS FOR ALL FLAT STEPS

**vaughn
concrete products, inc.**

DRAWING NOT TO SCALE

INDIVIDUAL STEPS.DWG
DATE CREATED: 10/10
UPDATED:

12650 Tucson Street • Henderson, Colorado 80640 • 303-659-3747, Fax 303-659-1333
2671 South Greeley Hwy • Cheyenne, Wyoming 82007 • 307-634-0695, Fax 307-634-0694
10021 Amarillo Blvd East • Amarillo, Texas 79108 • 806-374-3747, Fax 806-335-3717

www.vaughnconcreteproducts.com