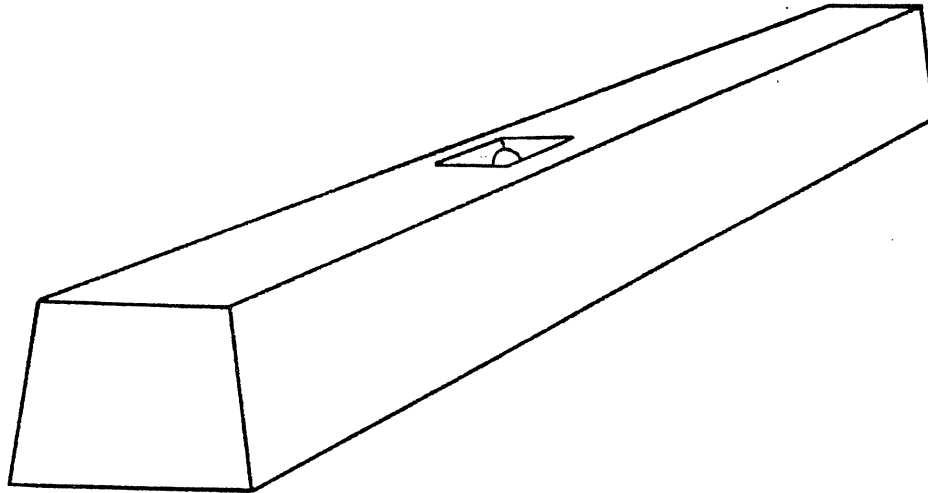


Precast Concrete
Mini Block



USES:

Truck Parking
Traffic Barrier
Footing Block
Borders

DIMENSIONS:

14" wide at base
12" wide at top
74" length
12" tall
Approximately 1000 lbs.

ADVANTAGES:

Sturdier Than A Standard Parking Block
Taller, More Visible

Actual size of concrete products may vary slightly

vaughn
concrete products, inc.

10021 Amarillo Blvd. East • Amarillo, Texas 79107 • 806-374-3747, Fax 806-335-3717