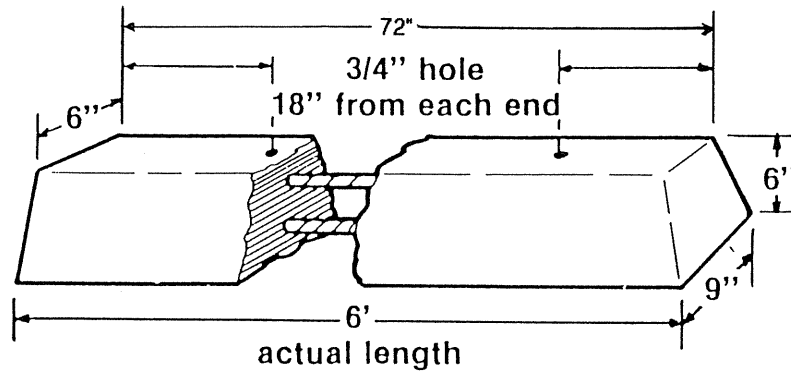
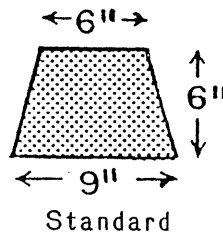


Precast Concrete

PARKING BLOCK



actual length
two 3/8" rebar
full length of block.
WEIGHT: 250 lbs. (approx.)



Actual dimensions of concrete products may vary slightly.

Vaughn
concrete products, inc.

10021 Amarillo Blvd. East • Amarillo, Texas 79107 • 806-374-3747, Fax 806-335-3717