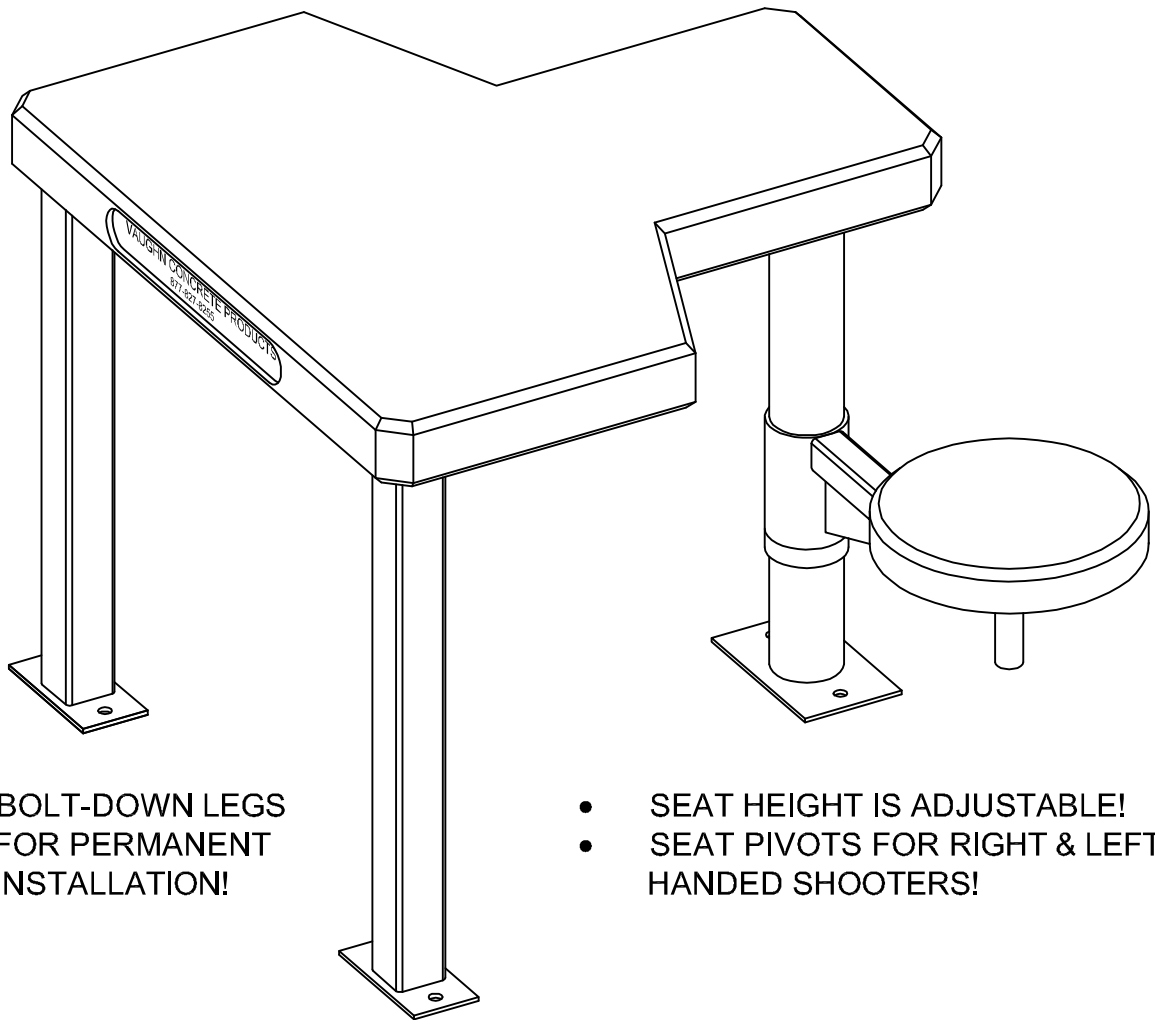


PRECAST CONCRETE

SHOOTING BENCH

- DURABLE PRECAST CONCRETE TOP & SEAT!
- STEEL MOUNTING PLATES, LEGS, SEAT ARM & SEAT POST!
- SHOOTING BENCH CAN BE RELOCATED!



- BOLT-DOWN LEGS FOR PERMANENT INSTALLATION!

- SEAT HEIGHT IS ADJUSTABLE!
- SEAT PIVOTS FOR RIGHT & LEFT HANDED SHOOTERS!

- PRECAST CONCRETE TOP & SEAT SUPPLIED WITH A STANDARD GRAY FORM FINISH
- DURABLE PRECAST TOP IS APPROXIMATELY 42" WIDE X 42" LONG X 4" THICK
- OVERALL HEIGHT OF SHOOTING BENCH IS APPROXIMATELY 36"
- ENTIRE SHOOTING BENCH ASSEMBLY WEIGHS APPROXIMATELY 580 LBS.

vaughn
concrete products, inc.

SHOOTING BENCH.DWG
DATE CREATED: 12/09

12650 Tucson Street • Henderson, Colorado 80640 • 303-659-3747, Fax 303-659-1333
2671 South Greeley Hwy • Cheyenne, Wyoming 82007 • 307-634-0695, Fax 307-634-0694
10021 Amarillo Blvd East • Amarillo, Texas 79108 • 806-374-3747, Fax 806-335-3717

www.vaughnconcreteproducts.com

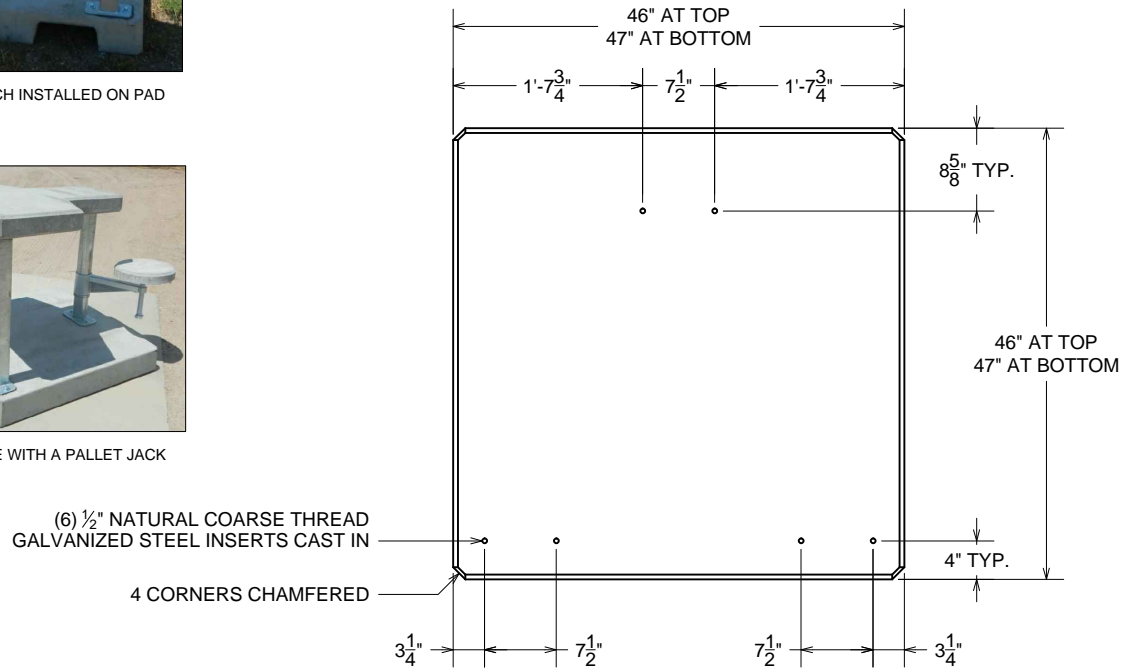
PRECAST CONCRETE SHOOTING BENCH PAD



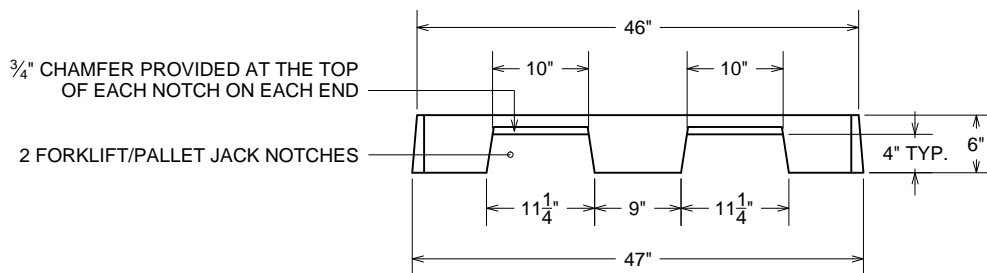
SHOOTING BENCH INSTALLED ON PAD



EASILY MOVABLE WITH A PALLET JACK



PLAN VIEW



FRONT ELEVATION

WEIGHT:

- PAD WEIGHS APPX. 1,200 LBS.

**vaughn
concrete products, inc.**

SHOOTING BENCH & PAD.DWG
DATE CREATED: 2/15

12650 Tucson Street • Henderson, Colorado 80640 • 303-659-3747, Fax 303-659-1333
 2671 South Greeley Hwy • Cheyenne, Wyoming 82007 • 307-634-0695, Fax 307-634-0694
 10021 Amarillo Blvd East • Amarillo, Texas 79108 • 806-374-3747, Fax 806-335-3717

www.vaughnconcreteproducts.com