

Precast Concrete

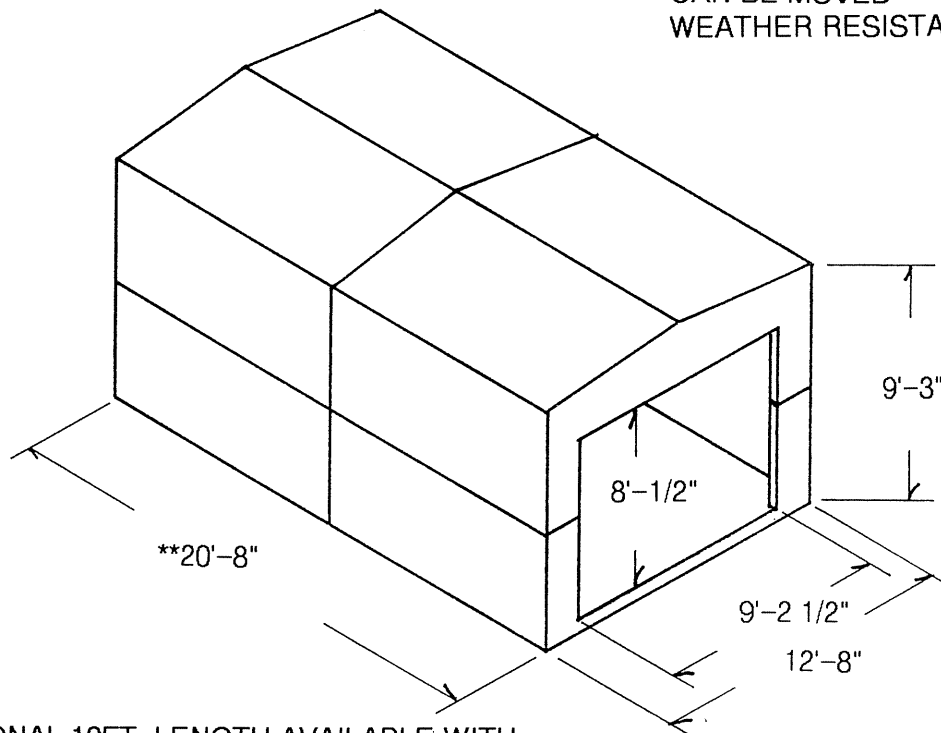
STORAGE SHED

12'-0" WIDE X 20'-0" LONG X 8'-7" HIGH INSIDE DIMENSIONS

WELD PLATES PROVIDED FOR CONNECTING SECTIONS
JOINTS BETWEEN SECTIONS TO BE GROUTED
THEN WATERPROOFED

FEATURES

SATISFIES ACI BUILDING CODES
DURABLE
CAN BE MOVED
WEATHER RESISTANT



**ADDITIONAL 10FT. LENGTH AVAILABLE WITH
INTERMEDIATE MID SECTION INSTALLED

APPROXIMATE WEIGHTS:

TOP FRONT SECTION - 13,100 LBS
TOP BACK SECTION - 14,800 LBS
BOTTOM FRONT SECTION - 11,300 LBS
BOTTOM BACK SECTION - 13,200 LBS
**TOP MID SECTION - 11,900 LBS
**BOTTOM MID SECTION - 10,400 LBS

REINFORCED CONCRETE 4000 PSI MINIMUM

Actual dimensions of concrete products may vary slightly

vaughn
concrete products, inc.

12650 Tucson Street • Henderson, Colorado 80640 • 303-659-3747, Fax 303-659-1333
2671 So. Greeley Hwy • Cheyenne, Wyoming 82007 • 307-634-0695, Fax 307-634-0694
10021 Amarillo Blvd. East • Amarillo, Texas 79107 • 806-374-3747, Fax 806-335-3717