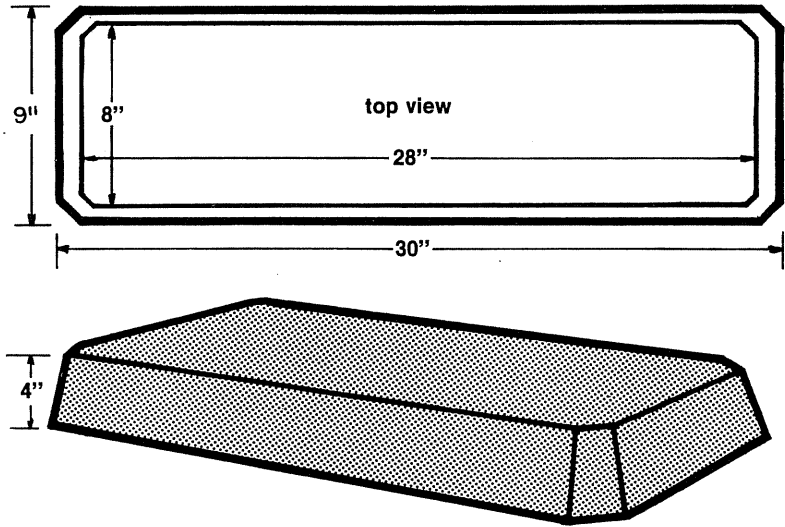
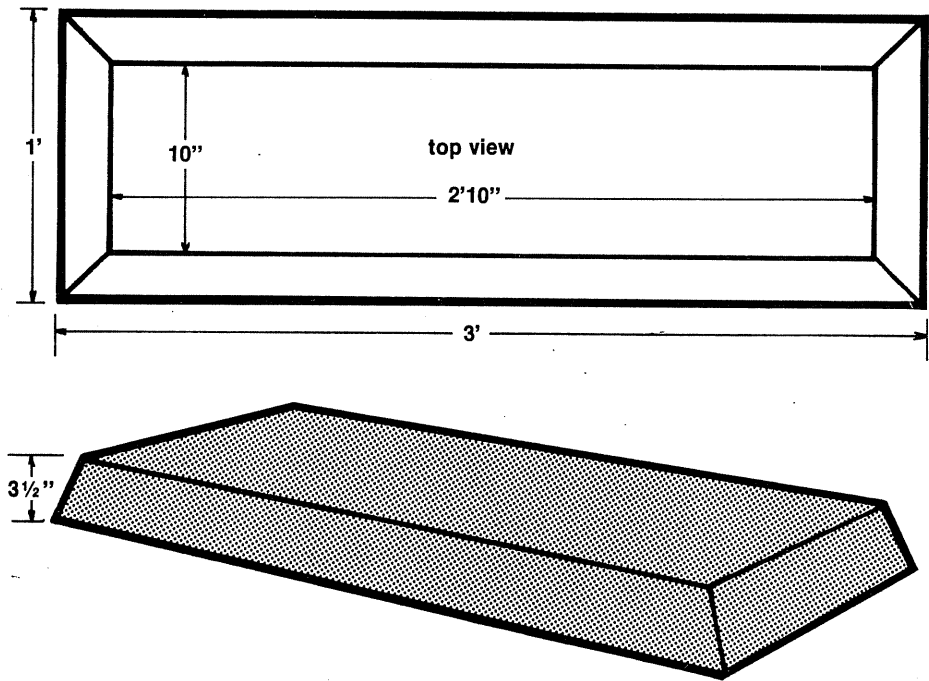


# Precast Concrete PADS

**Small Propane Pad**  
Weight: 82 lbs.



**Large Propane Pad**  
Weight: 130 lbs.



Actual dimensions of concrete products may vary slightly.

**Vaughn**  
**concrete products, inc.**

UPDATED 11/97

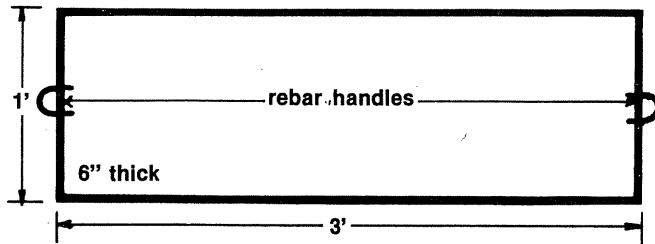
12650 Tucson Street • Henderson, Colorado 80640 • 303-659-3747, Fax 303-659-1333  
2671 So. Greeley Hwy • Cheyenne, Wyoming 82007 • 307-634-0695, Fax 307-634-0694  
10021 Amarillo Blvd. East • Amarillo, Texas 79107 • 806-374-3747, Fax 806-335-3717

## Precast Concrete Pads

continued

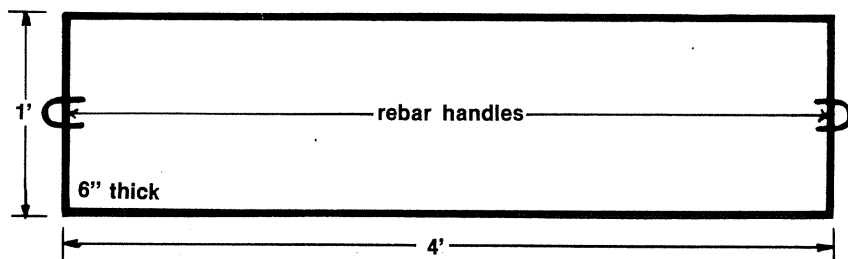
### Small Hydro Pad

Weight: 225 lbs.



### Large Hydro Pad

Weight: 300 lbs.

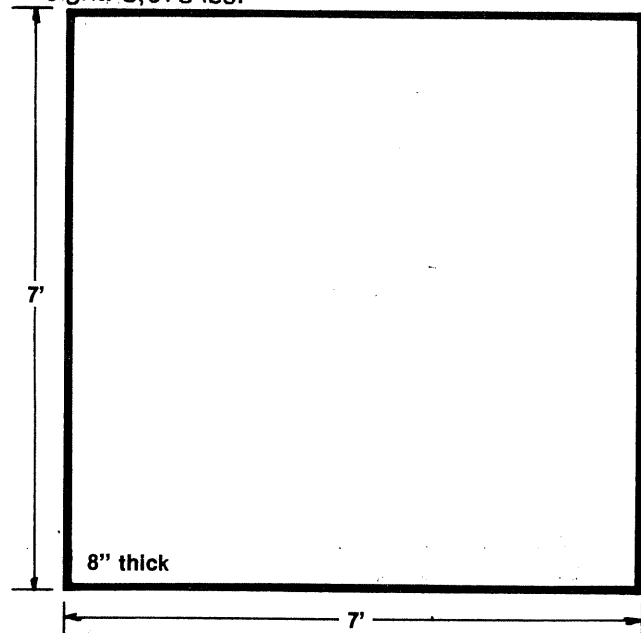
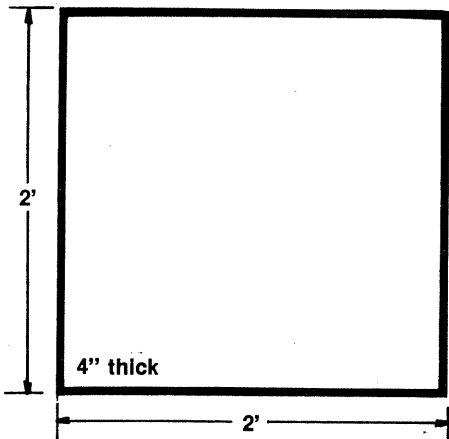


### Treater Pad

Weight: 3,675 lbs.

### Trailer Pad

Weight: 300 lbs



Contact us for price on any size pad not listed.