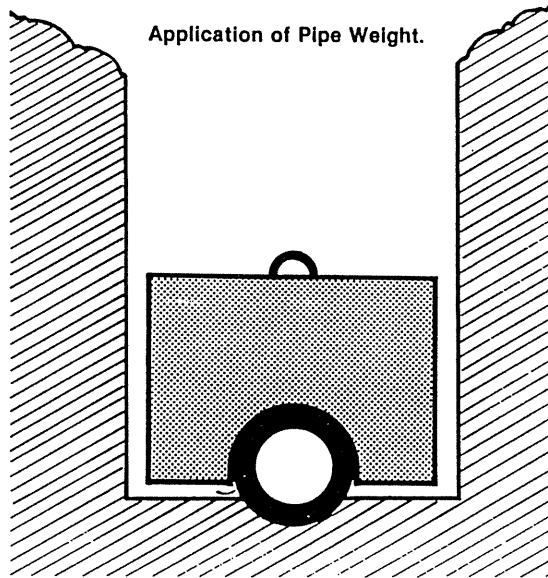
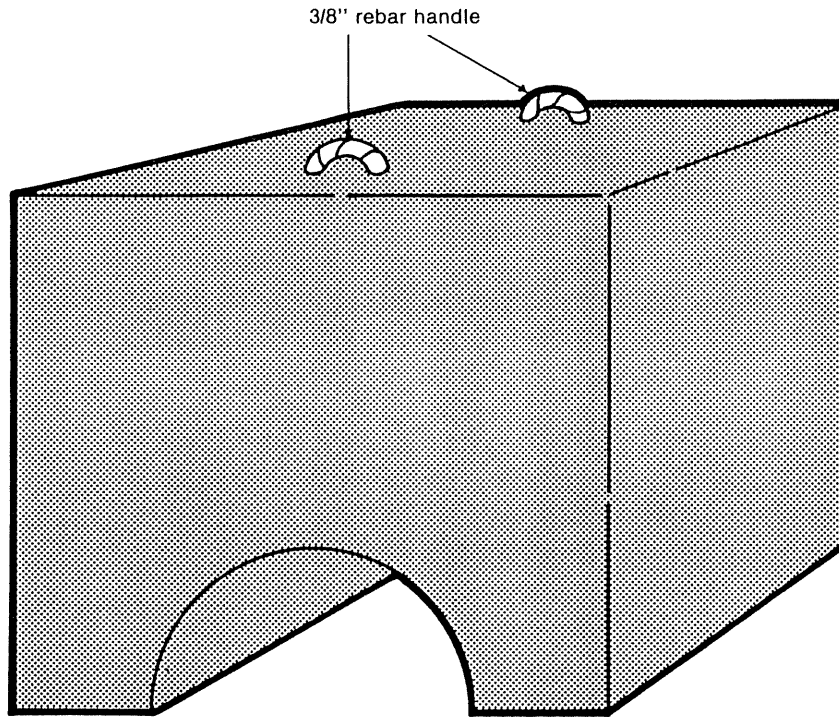


Precast Concrete
PIPE WEIGHTS



Weight for 6" pipe . . . Approx. 400 lbs.
Weight for 8" pipe . . . Approx. 700 lbs.
Weight for 12" pipe . . . Approx. 1500 lbs.

Bolt-on type weights also available.

Weights made to your specifications.

Actual dimensions of concrete products may vary slightly

vaughn
concrete products, inc.

12650 Tucson Street • Henderson, Colorado 80640 • 303-659-3747, Fax 303-659-1333
2671 So. Greeley Hwy • Cheyenne, Wyoming 82007 • 307-634-0695, Fax 307-634-0694
10021 Amarillo Blvd. East • Amarillo, Texas 79107 • 806-374-3747, Fax 806-335-3717