

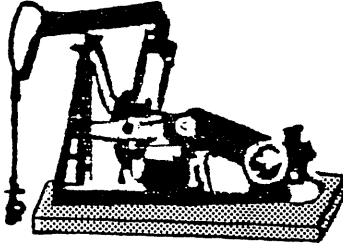
Precast Concrete

Pumping Unit Base

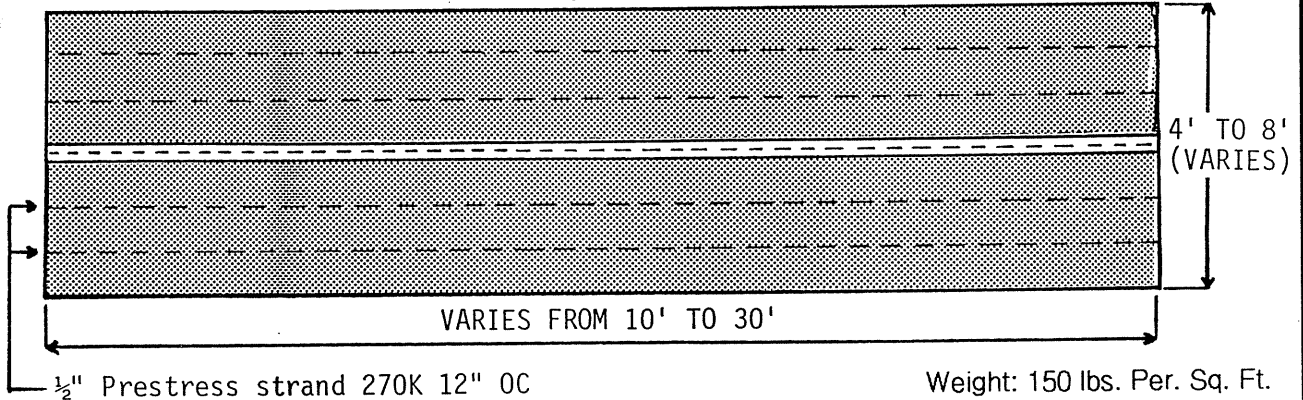
Pre-Stressed

High Strength Quality Casting

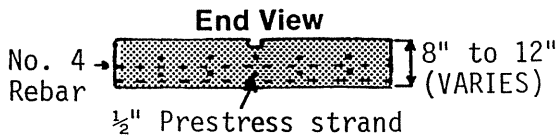
DESIGNED FOR EASY
HANDLING AND PLACEMENT



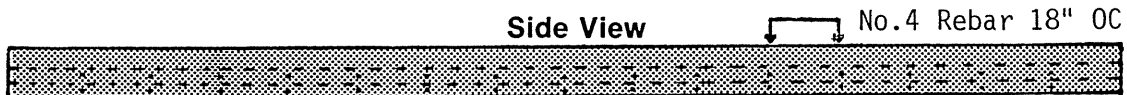
Top View



Weight: 150 lbs. Per. Sq. Ft.

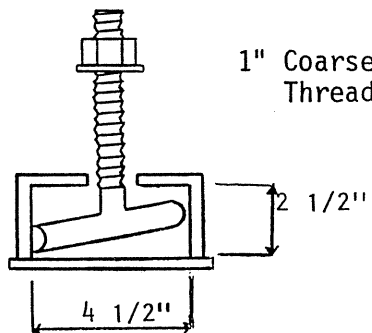


Standard size in stock 6'X 24'X 12"
or add our 6'X 6'X 12" extension for
Larger Bases. Other sizes made and
kept in stock when needed.
LET US MAKE THE BASES YOU NEED!



Bolt Detail

Hold down Plate Unit w/bolt can
be furnished with Pumping Base



Ready for PICK-UP from our yard or
we will DELIVER to the site desired.
These bases are engineered to be
transferred from location to location
YOU CAN RETAIN YOUR ORIGINAL INVESTMENT!

Several Major Oil Companies have been
using our bases with much success!

Vaughn concrete products, inc.

12650 Tucson Street • Henderson, Colorado 80640 • 303-659-3747, Fax 303-659-1333
2671 So. Greeley Hwy • Cheyenne, Wyoming 82007 • 307-634-0695, Fax 307-634-0694
10021 Amarillo Blvd. East • Amarillo, Texas 79107 • 806-374-3747, Fax 806-335-3717