

PRECAST CONCRETE SAND/OIL INTERCEPTOR

MONOLITHIC BODY NO SEAMS OR JOINTS

3" THICK FLOOR
4" THICK WALLS
8" THICK LID FOR TRAFFIC

2 COMPARTMENT TANK WITH APPROXIMATELY 60% OF CAPACITY ON INLET SIDE

TANK IS PROVIDED WITH NOTCHES IN SIDEWALLS FOR SLIP-IN DIVIDER WALL

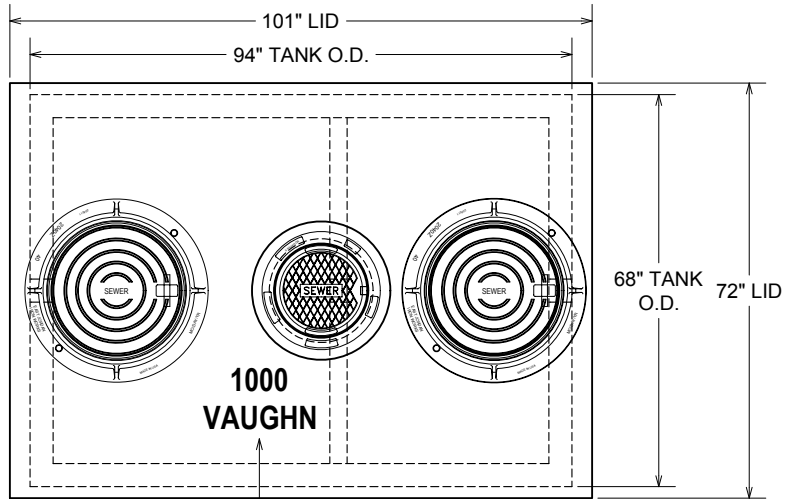
WITHSTANDS UP TO 6' OF BURY, RISERS ARE AVAILABLE FOR INLET & OUTLET

OPTIONS:

- 24" ID MANHOLE RISERS AVAILABLE IN 2", 3", 4", 6", 8" OR 12" HEIGHTS
- 18" ID CENTER ACCESS RISERS:
10⁵/₈" TALL FOR USE w/6" TALL MH RISER
16⁵/₈" TALL FOR USE w/12" TALL MH RISER
4' TALL RCP SECTION FOR CONTRACTOR TO CUT TO SPECIFIC HEIGHTS
- GAS TIGHT CAST IRON RINGS & COVERS

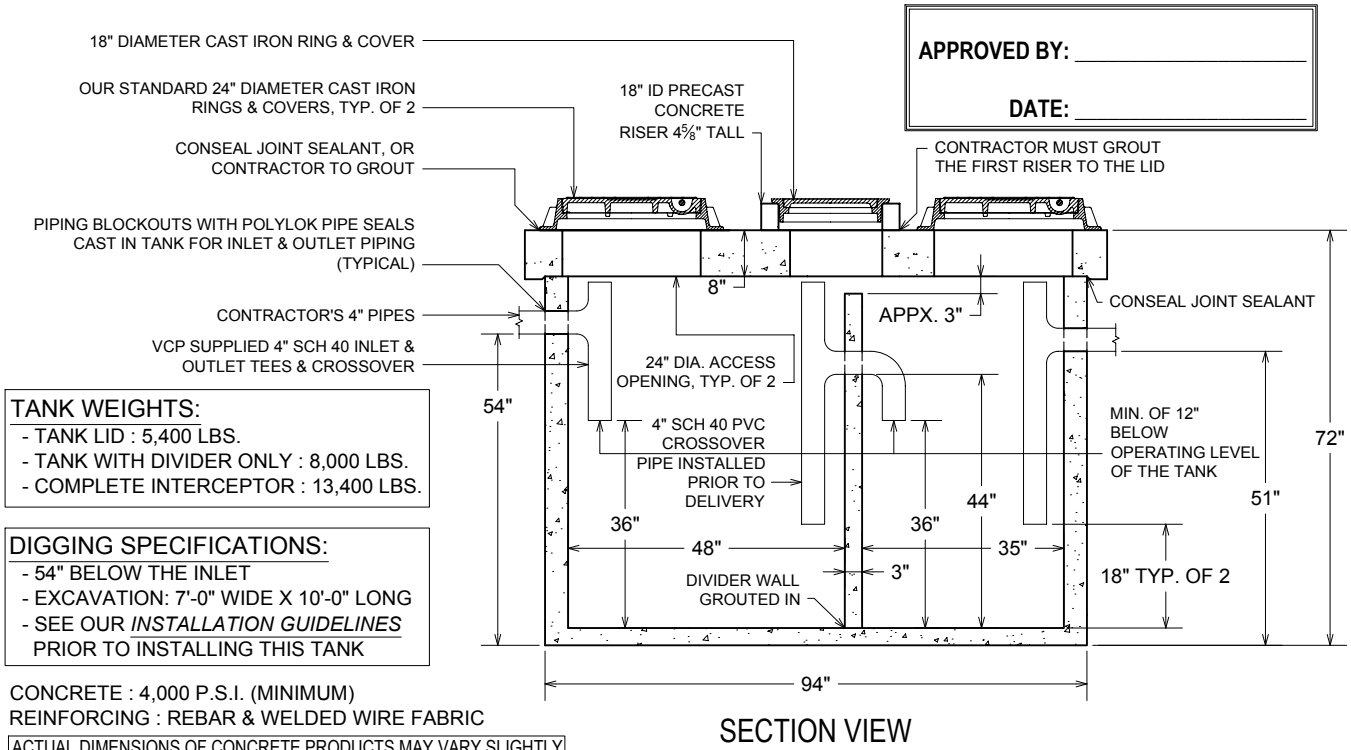
1000 GALLON CAPACITY
WITH LID FOR TRAFFIC
STANDARD FOR LUBBOCK & ODESSA, TX

IT IS THE EXCAVATOR'S OR INSTALLER'S RESPONSIBILITY TO REQUEST OUR **INSTALLATION GUIDELINES** PRIOR TO INSTALLING THIS TANK



PLAN VIEW

DURING PRODUCTION, "TANK SIZE" & "VAUGHN" ARE STAMPED IN LID, "IN" & "OUT" ARE MARKED ON TANK ENDS



SECTION VIEW

TANK WEIGHTS:

- TANK LID : 5,400 LBS.
- TANK WITH DIVIDER ONLY : 8,000 LBS.
- COMPLETE INTERCEPTOR : 13,400 LBS.

DIGGING SPECIFICATIONS:

- 54" BELOW THE INLET
- EXCAVATION: 7'-0" WIDE X 10'-0" LONG
- SEE OUR **INSTALLATION GUIDELINES** PRIOR TO INSTALLING THIS TANK

CONCRETE : 4,000 P.S.I. (MINIMUM)
REINFORCING : REBAR & WELDED WIRE FABRIC
ACTUAL DIMENSIONS OF CONCRETE PRODUCTS MAY VARY SLIGHTLY



DRAWING IS NOT TO SCALE

1000 GAL SOI, TRAFFIC-LUBBOCK.DWG
DATE CREATED: 11 / 04
UPDATED: 12 / 11