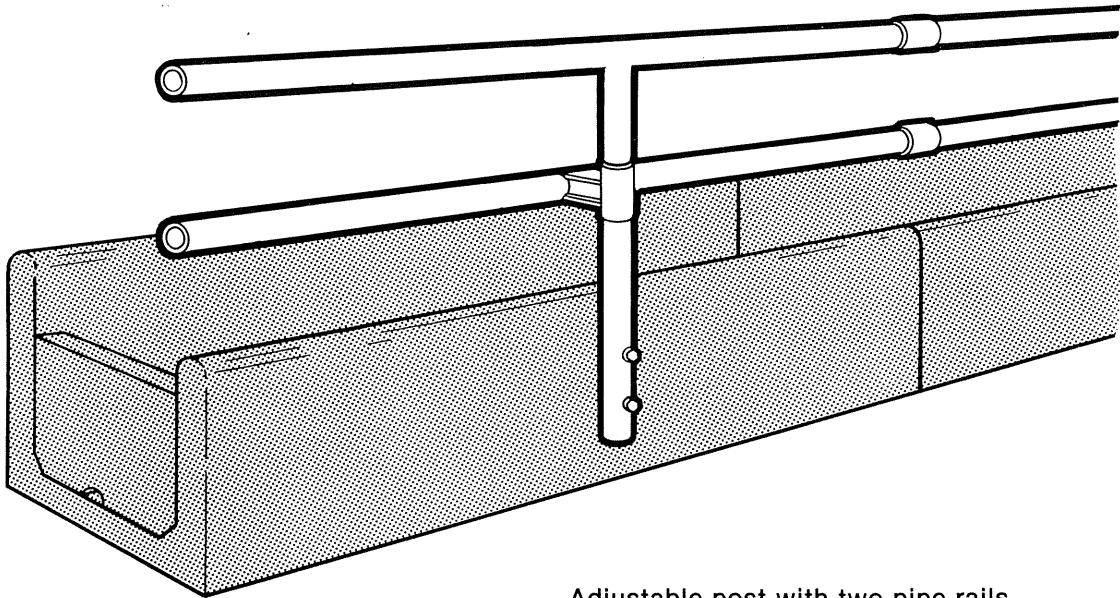


# FEED BUNK HARDWARE

*FOR REFERENCE ONLY*

Precast concrete bunk with hardware applied

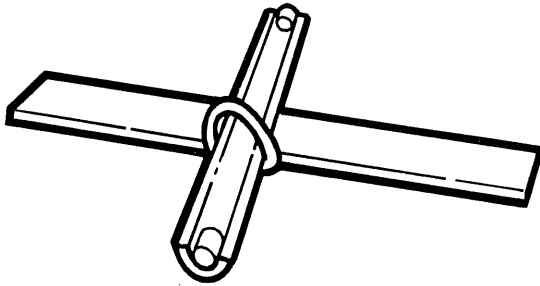


Vertical pipe bolts to center of bunk  
Holes are cast into the bunk to receive bolts.

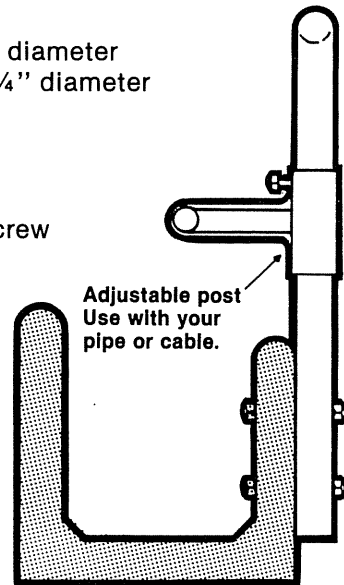
Adjustable post with two pipe rails attached. Adjustable post without horizontal pipe rails - to be used with buyers' own pipe or cable.

42" high  
Vertical pipe: 1½" diameter  
Horizontal pipe: 1¼" diameter

## Moving Rack



Adjustable collar:  
2" pipe  
6" long with set screw



**vaughn**  
**concrete products, inc.**

UPDATED 11/97

12650 Tucson Street • Henderson, Colorado 80640 • 303-659-3747, Fax 303-659-1333  
2671 So. Greeley Hwy • Cheyenne, Wyoming 82007 • 307-634-0695, Fax 307-634-0694  
10021 Amarillo Blvd. East • Amarillo, Texas 79107 • 806-374-3747, Fax 806-335-3717