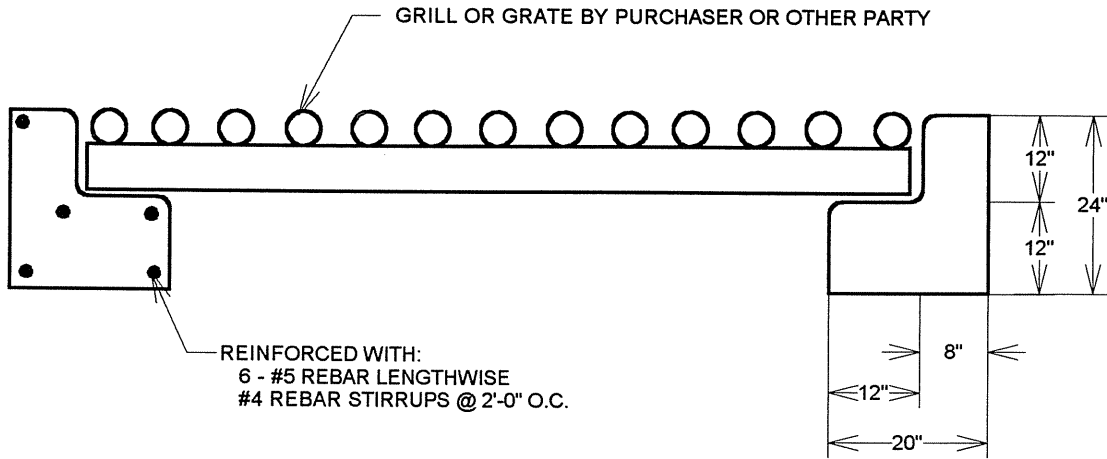
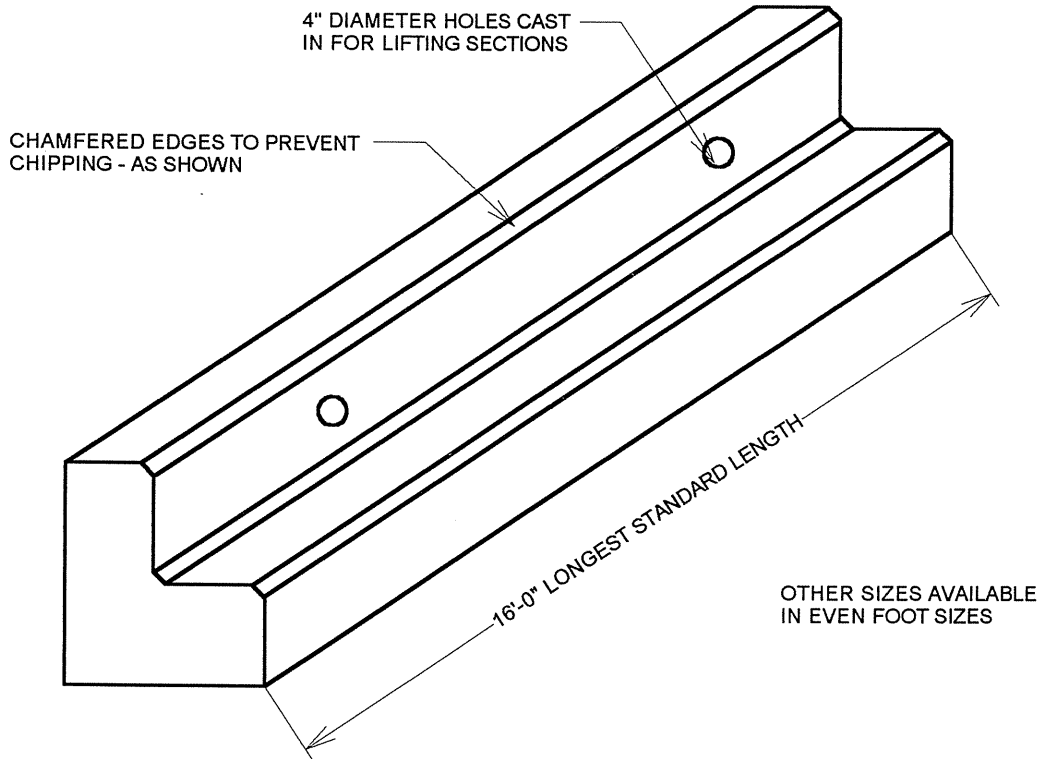


PRECAST CONCRETE CATTLE GUARD BASE



SECTION WEIGHS 350 LBS./FOOT
16' SECTION WEIGHS 5600 LBS.
14' SECTION WEIGHS 4900 LBS.



CONCRETE: 4000 P.S.I. MINIMUM
REINFORCING: GRADE 60 MINIMUM

DRAWING IS NOT TO SCALE
ACTUAL DIMENSIONS OF CONCRETE PRODUCTS MAY VARY SLIGHTLY

vaughn
concrete products, inc.

UPDATED 10/99

CATL CATTLE.SKF