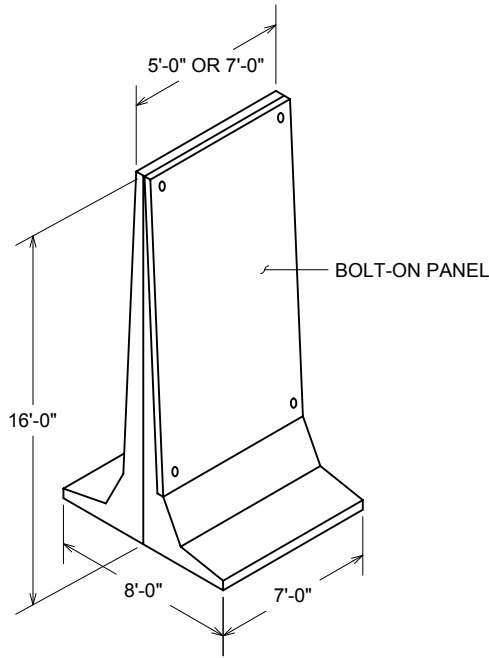
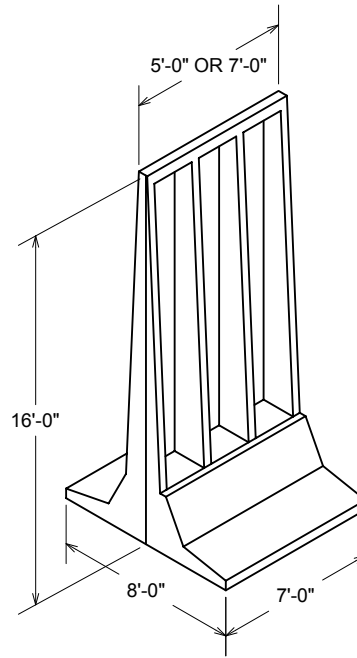


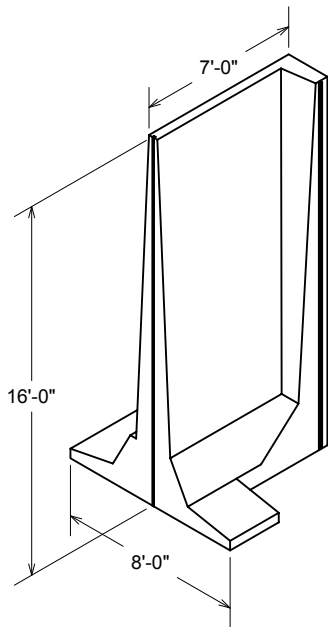
# PRECAST CONCRETE SILO PANELS



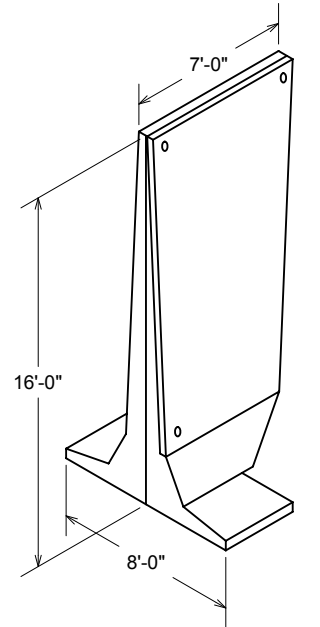
**"T" PANEL**  
(SHOWN WITH BOLT-ON PANEL)  
**2,420 LBS./FT.**



**"L" PANEL**  
**1,830 LBS./FT.**



**CORNER PANEL**



**FILLER PANEL**

ACTUAL DIMENSIONS OF CONCRETE PRODUCTS MAY VARY SLIGHTLY

**vaughn  
concrete products, inc.**

DRAWING NOT TO SCALE

SILO PANELS.DWG  
DATE CREATED: 10/10  
UPDATED: -----

12650 Tucson Street • Henderson, Colorado 80640 • 303-659-3747, Fax 303-659-1333  
2671 South Greeley Hwy • Cheyenne, Wyoming 82007 • 307-634-0695, Fax 307-634-0694  
10021 Amarillo Blvd East • Amarillo, Texas 79108 • 806-374-3747, Fax 806-335-3717

[www.vaughnconcreteproducts.com](http://www.vaughnconcreteproducts.com)