

Precast Concrete

# SILO Upright Bunker

Featuring a single component design for fast erection and completion.

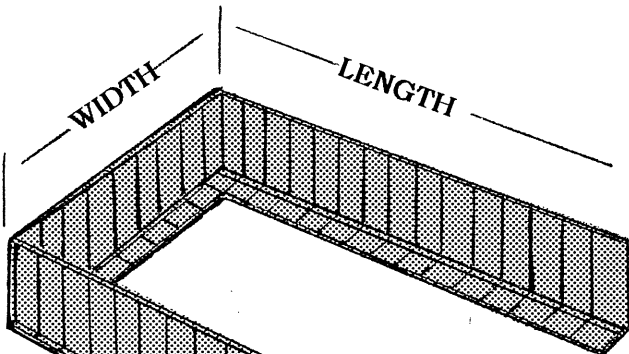
The sections may be dismantled and re-located, customers may select any length or width in increments of 5 feet -2 inches.

In addition to silage storage, these upright units may be used as retaining walls or manure pits.

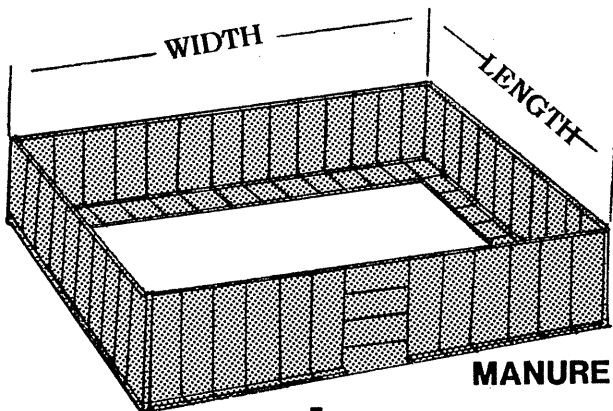
TONNAGE TABLE FOR 8 FT. SIDEWALLS

LENGTH & WIDTH	30	40	50	60
60	323	432	540	646
70	376	504	630	753
80	431	576	720	862
90	485	648	808	971
100	539	720	900	1078
110	593	792	989	1187
120	648	864	1080	1296
130	688	936	1170	1376
140	755	1008	1260	1510
150	808	1080	1350	1616

BASED ON LEVEL FILL WITH 45 LBS./CU. FT.



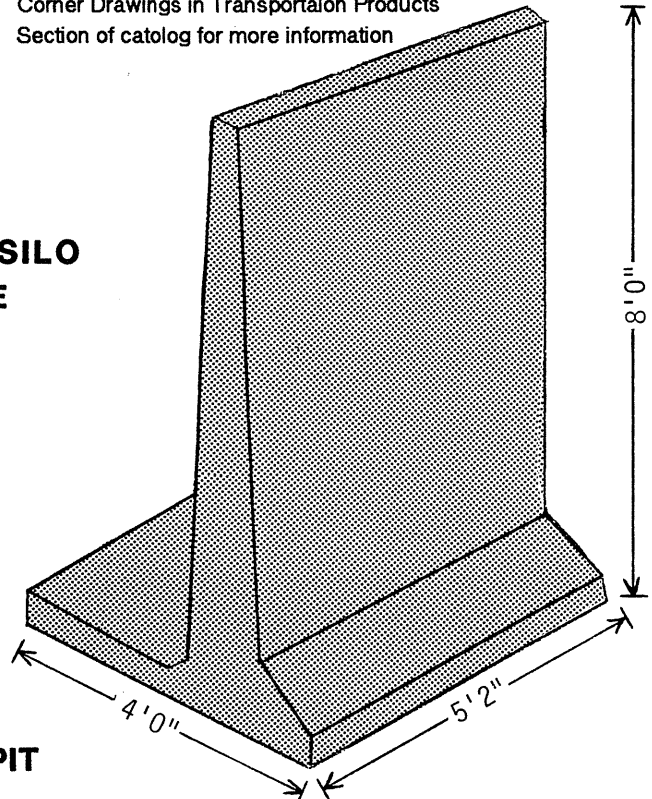
**BUNKER SILO STORAGE**



**MANURE PIT**

### SECTIONS WELD OR BOLT TOGETHER

See Retaining Wall and Retaining Wall Corner Drawings in Transportation Products Section of catalog for more information



UPDATED 11/97

Actual dimensions of concrete products may vary slightly

# **vaughn** concrete products, inc.

12650 Tucson Street • Henderson, Colorado 80640 • 303-659-3747, Fax 303-659-1333  
2671 So. Greeley Hwy • Cheyenne, Wyoming 82007 • 307-634-0695, Fax 307-634-0694  
10021 Amarillo Blvd. East • Amarillo, Texas 79107 • 806-374-3747, Fax 806-335-3717