

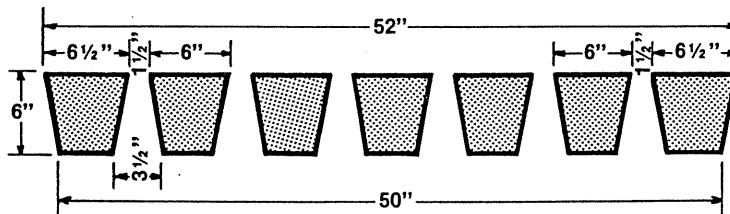
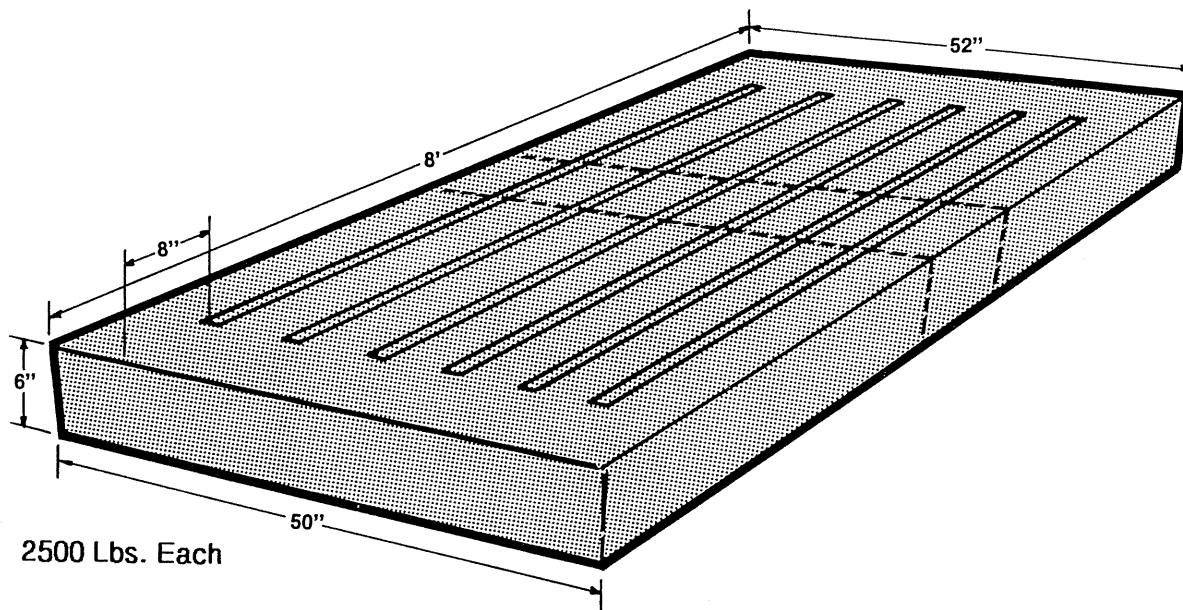
Precast Concrete

Slotted Floors

For Cattle or Hogs

Improve your cattle barn or hog house by installing a concrete slotted floor system, using our 52" x 8' slotted sections.

Floor areas will be much easier to keep clean. And bedding is eliminated – it won't be necessary once you have installed a Vaughn precast concrete slotted floor system.



Actual dimensions of concrete products may vary slightly.

vaughn
concrete products, inc.

UPDATED 11/97

12650 Tucson Street • Henderson, Colorado 80640 • 303-659-3747, Fax 303-659-1333
2671 So. Greeley Hwy • Cheyenne, Wyoming 82007 • 307-634-0695, Fax 307-634-0694
10021 Amarillo Blvd. East • Amarillo, Texas 79107 • 806-374-3747, Fax 806-335-3717